

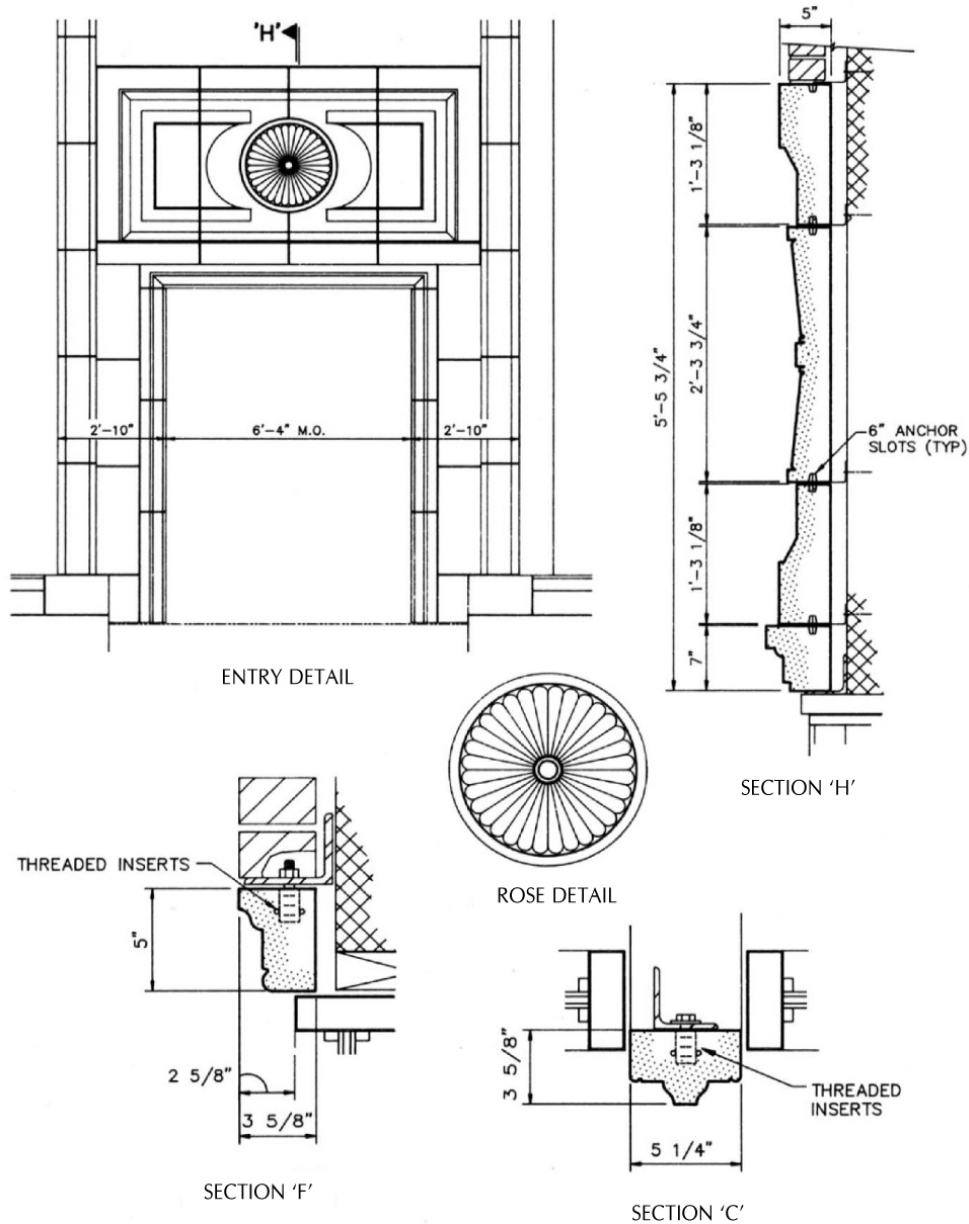
**PROJECT: PARK CITIES BAPTIST CHURCH
 ARCHITECT: F&S PARTNERS, INC.
 DALLAS, TX - PLATE #4**

Models of ornament can be provided either by Cast Stone manufacturer, the Architect or the Owner's Representative.

Models can consist of almost any material, including existing stones. Plaster of Paris makes an ideal model and there are a large number of ornamental plasters servicing the industry for this purpose.

Lintels may be reinforced and made to bear on the wall or they may be supported by a shelf angle from either below or above the stone, as shown in window surround section F.

Threaded inserts are more costly than dowel holes or anchor slots, particularly when required in the unformed (or back) side of the stone.



This Technical Bulletin is provided by the Cast Stone Institute®, and is intended for guidance only. Specific details should be obtained from the manufacturer or supplier of the Cast Stone units.