

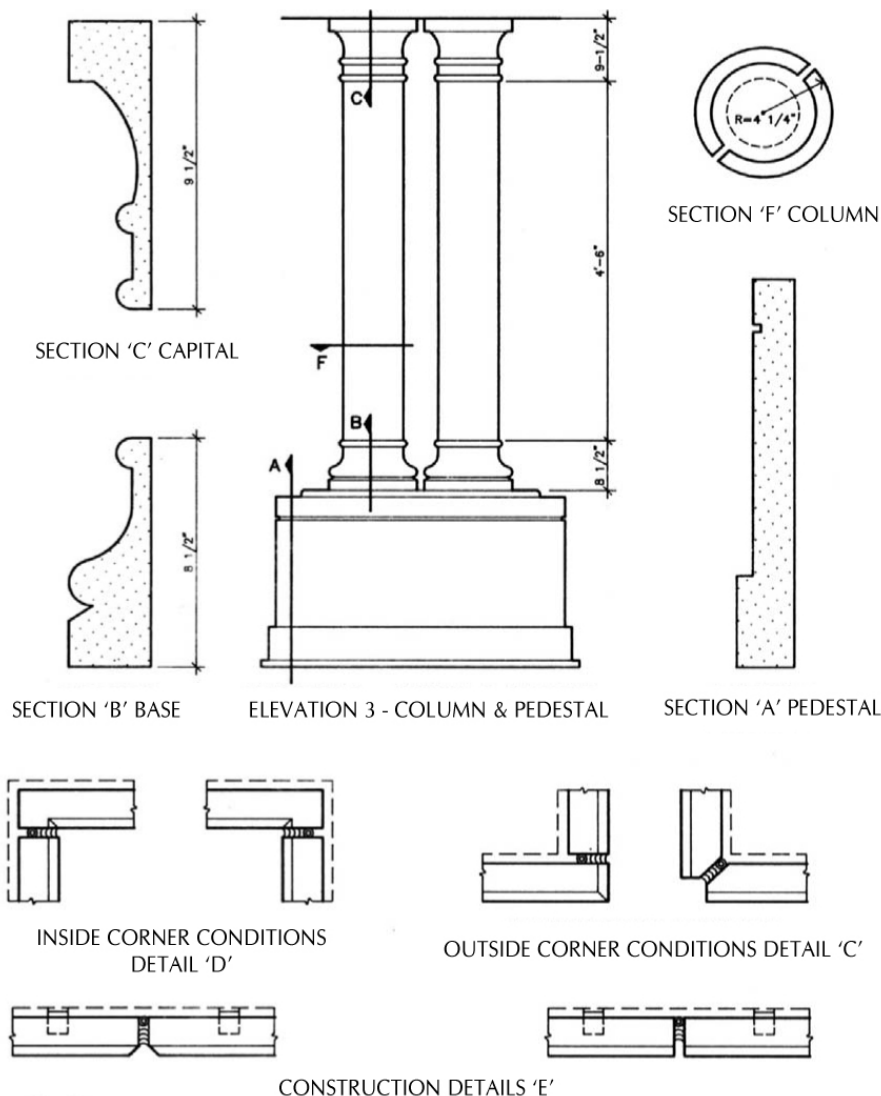
**VENEER PANELS FOR HYATT HOTEL  
CORAL GABELS, FLA - PLATE #25**

The details shown are used where Cast Stone is employed on stucco buildings where freeze-thaw is not a factor in building design.

Accordingly, this type of veneer can be made in thicknesses as thin as 1", depending upon the size of each unit, the finish desired, whether reinforcing is required and the manufacturing method used. Consult with your producer before specifying thicknesses less than 2". Rustication can be provided to accent features and add relatively no cost to the units.

On this stucco finished building application, 1"x1/8" aluminum straps were used to tie back the Cast Stone to the supporting structure. A full wet mortar backing is used and the joints are grouted to match the color of the stone. The final stucco finish on the building permanently covers the anchoring.

Aluminum is used due to ease of fabrication, the relatively light weight of the units and minimal corrosion possibility when used in cementitious embedding with coupled metals at the air-concrete interface and under plaster. Stainless steel or galvanized steel anchor straps should always be used with typical masonry applications.



This Technical Bulletin is provided by the Cast Stone Institute®, and is intended for guidance only. Specific details should be obtained from the manufacturer or supplier of the Cast Stone units.