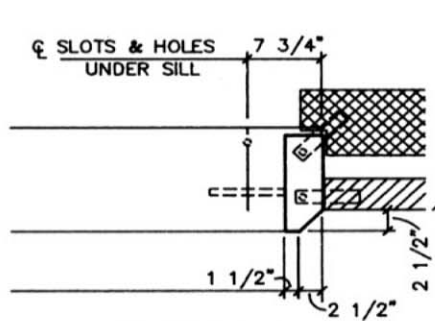
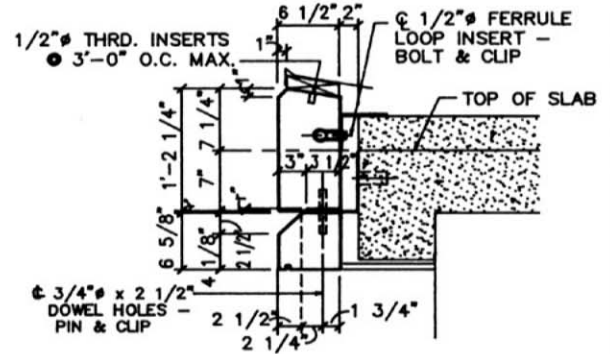


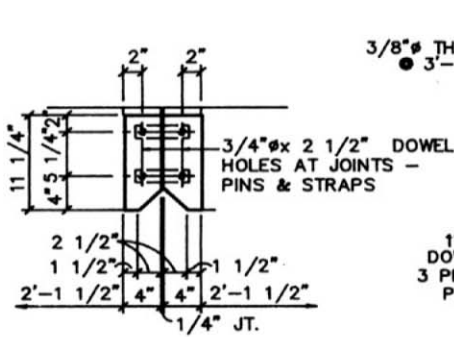
PROJECT: WESTCHESTER COUNTY WOMEN'S JAIL EXPANSION
ARCHITECT: LOTHROP ASSOCIATES
PLATE #22



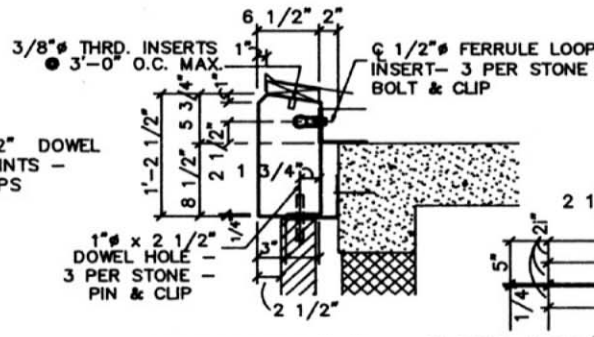
SECTION 'A'



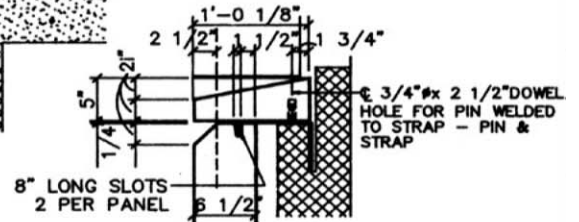
SECTION 'M'



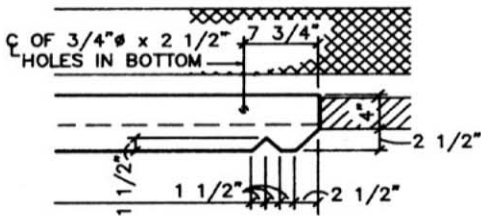
SECTION 'G'



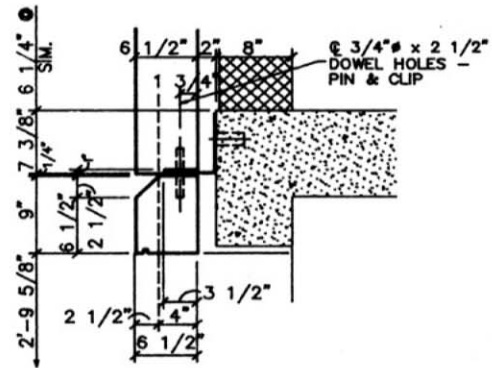
SECTION 'R'



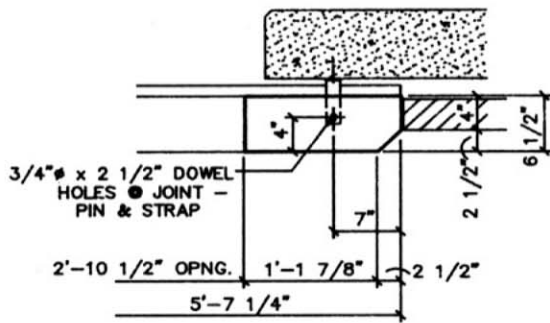
SECTION 'K'



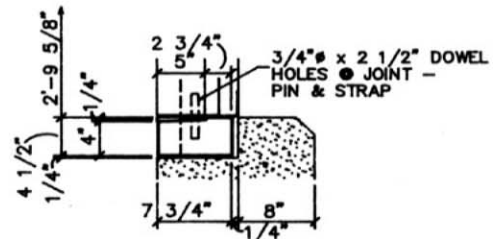
SECTION 'B'



SECTION 'N'



SECTION 'C'



SECTION 'P'